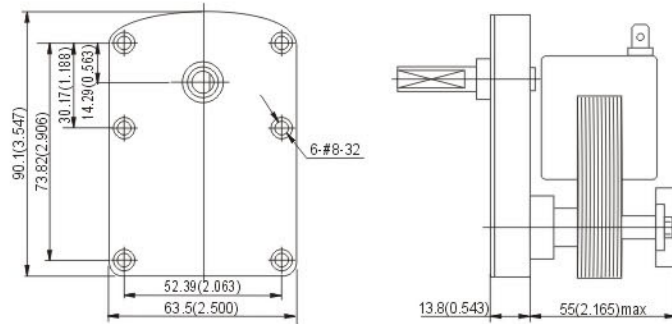




Series

- Speeds from 1.5 – 100 rpm
- Rated torque from 400–125 oz-in
- OEM customization

Type SPG1



Unit in mm (inch)

Model	Operation Voltage Range	Speed Range	Output Torque Range	Rated Voltage	Rated Speed	Rated Torque	Gear Ratio
	V	rpm	oz-in	V	rpm	oz-in	
HTGMAKTA1722F-1	24-240V AC	1.5-100	400-125	120V AC/60Hz	1.8	400	1722
HTGMAKTC1722H-1	24-240V AC	1.5-100	400-125	220V AC/60Hz	1.8	400	1722

CONSTRUCTION

- Shaded-pole motor
- Metal housing
- Metal gears
- Male spade lug for power connection

OPTIONS

- Options available in OEM quantities
- Custom gear ratios
- Shaft modifications
- Shaft mounted pulleys & gears
- Custom cable harnessing
- Subassembly or complete product assembly

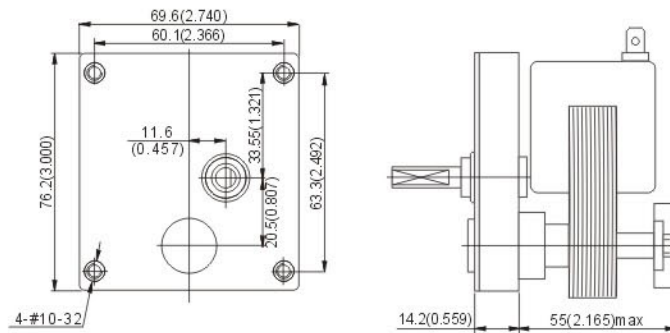
[▶ PDF File/Print](#)



Series

- Compact square gearbox
- Speeds from 1 – 300 rpm
- Rated torque from 400–125 oz-in
- OEM customization

Type SPG2



Unit in mm (inch)

Model	Operation Voltage Range	Speed Range	Output Torque Range	Rated Voltage	Rated Speed	Rated Torque	Gear Ratio
	V	rpm	oz-in	V	rpm	oz-in	
HTGMANTA3003F-1	24-240V AC	1-300	400-125	24V AC/60Hz	1	400	3003
HTGMAOTB3003G-1	24-240V AC	1-300	400-125	110V AC/60Hz	1	400	3003
HTGMAOTC3003H-1	24-240V AC	1-300	400-125	220V AC/60Hz	1	400	3003

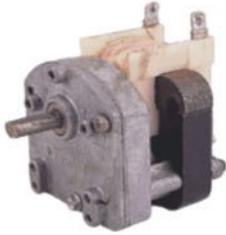
CONSTRUCTION

- Shaded-pole motor
- Metal housing
- Metal gears
- Male spade lug for power connection

OPTIONS

- Options available in OEM quantities
- Custom gear ratios
- Shaft modifications
- Shaft mounted pulleys & gears
- Custom cable harnessing
- Subassembly or complete product assembly

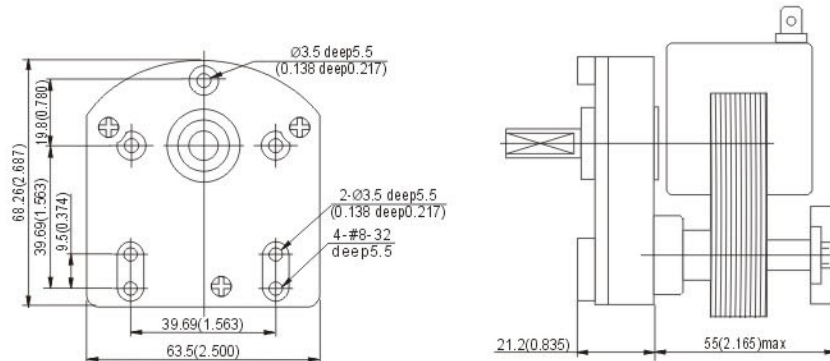
[▶ PDF File/Print](#)



Series

- speeds from 15 – 300 rpm
- Rated torque from 400– 125 oz-in
- OEM customization

Type ACG3



Unit in mm (inch)

Model	Operation Voltage Range	Speed Range	Output Torque Range	Rated Voltage	Rated Speed	Rated Torque	Gear Ratio
	V	rpm	oz-in	V	rpm	oz-in	
HTGMALTA0113F-1	24-240V AC	15-300	400-125	24V AC/60Hz	26	350	113
HTGMALTB0113G-1	24-240V AC	15-300	400-125	110V AC/60Hz	26	350	113
HTGMALTC0113H-1	24-240V AC	15-300	400-125	220V AC/60Hz	26	350	113

CONSTRUCTION

- Shaded-pole motor
- Metal housing
- metal gears
- Male spade lug for power connection

OPTIONS

- Options available in OEM quantities
- Custom gear ratios
- Shaft modifications
- Shaft mounted pulleys & gears
- Custom cable harnessing
- Subassembly or complete product assembly

[▶ PDF File/Print](#)